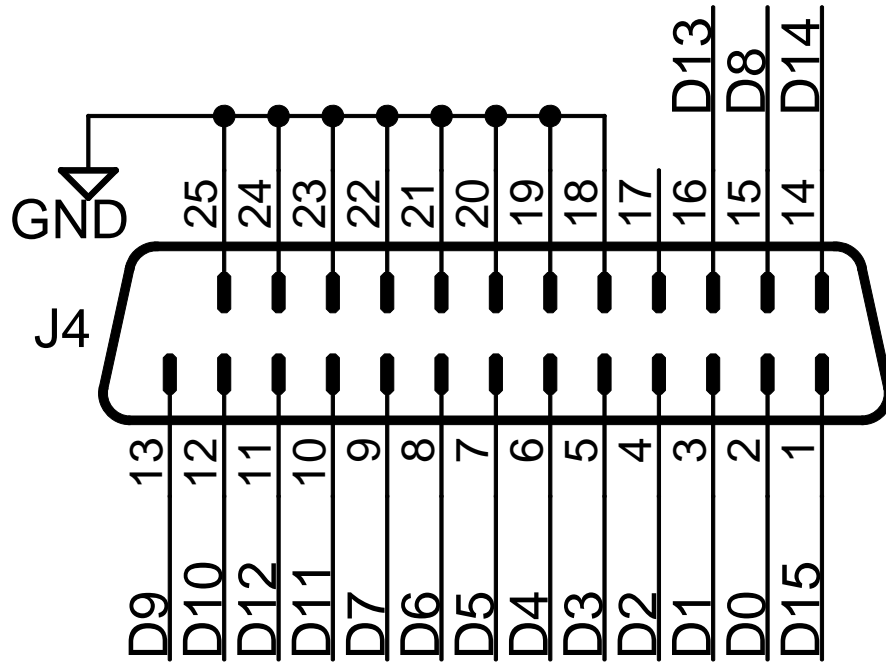
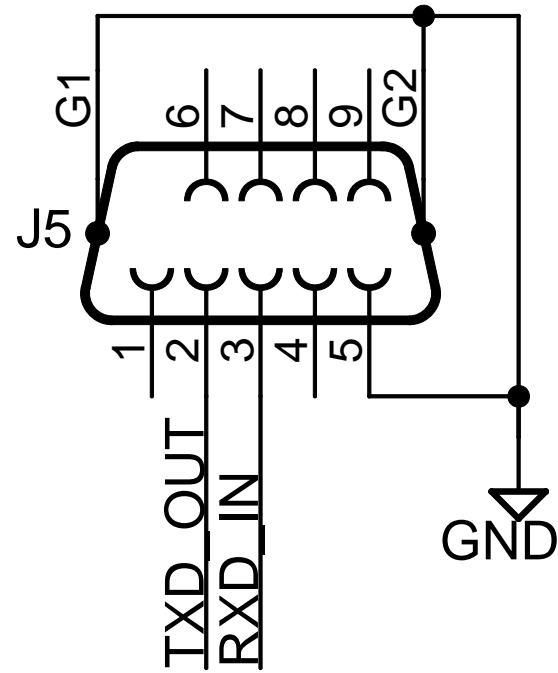


PARALLEL PORT



SERIAL PORT



Note: Both connectors shown as viewed when looking at daughtercard on DSK.